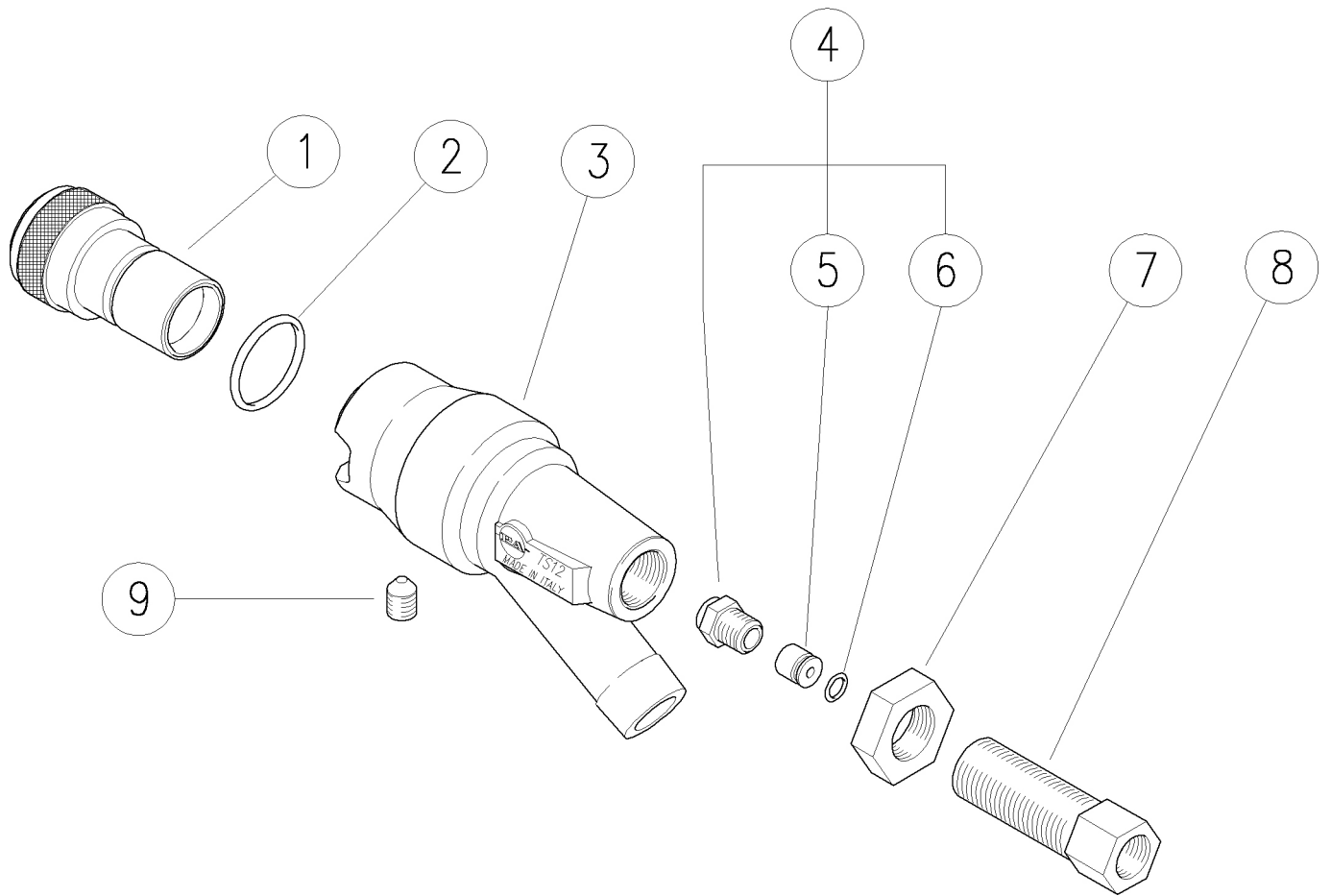




25.0460.00 TS12RC Test.sabb.500bar-get.tondo

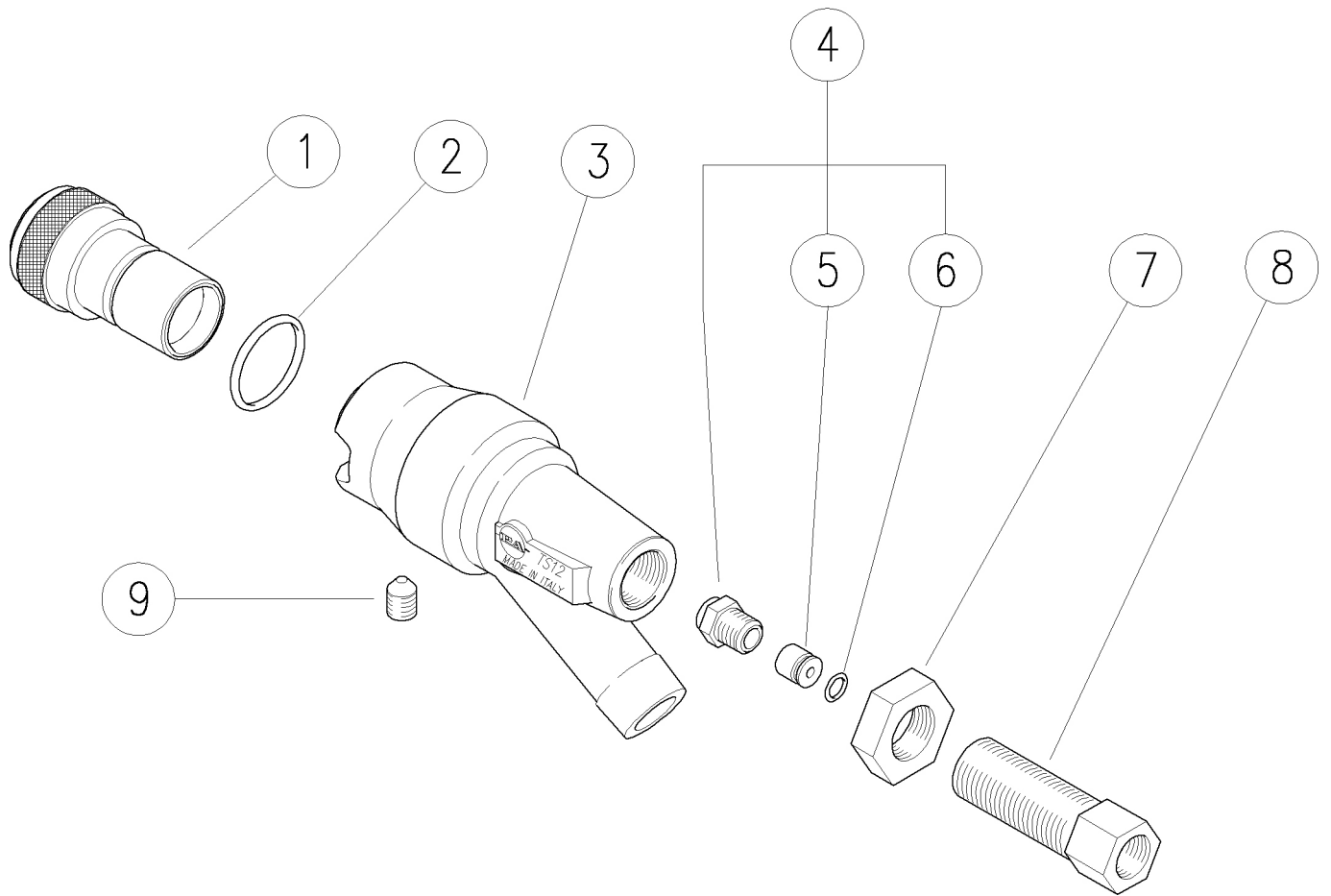


Pos.	Codice	Descrizione	Q.tà	K1	K2	K3	K4	
1	25.0462.24	Ugello convogliatore	1					1
2	10.3200.10	An.OR 2,62x23,47 mm Vi 70	1					10
3	25.0451.62	Corpo TS12	1					1
4	16.1401.40	Ug. 500bar 1/4M Npt+ventol. 00.04 **	1					2
4	16.1401.50	Ug. 500bar 1/4M Npt+ventol. 00.05 **	1					2
4	16.1401.55	Ug. 500bar 1/4M Npt+ventol. 00.055 **	1					2

Pos.	Codice	Descrizione	Q.tà	K1	K2	K3	K4	
5	25.0506.51	Convogliatore ugello **	1					3
6	10.3002.01	An.OR 1x5 mm Ni 85 **	1					10
7	11.4850.00	Dado es. M18	1					5
8	25.0504.51	Regolatore G1/4F-1/4 F Npt inox	1					1
9	16.2221.00	Grano DIN914 M8x8 mm inox	1					10

\*\* Su richiesta

25.0460.00 TS12RC Sandbl.500bar-solid stream



Pos.	P/N	Description	Q.ty	K1	K2	K3	K4	
1	25.0462.24	Conveyor nozzle	1					1
2	10.3200.10	O-ring, 2,62x23,47 mm Vi 70	1					10
3	25.0451.62	Housing -TS12	1					1
4	16.1401.40	Nzl 500bar 1/4M Npt+guid.vane00.04 **	1					2
4	16.1401.50	Nzl 500bar 1/4M Npt+guid.vane00.05 **	1					2
4	16.1401.55	Nzl 500bar 1/4M Npt+guid.vane00.055 **	1					2

Pos.	P/N	Description	Q.ty	K1	K2	K3	K4	
5	25.0506.51	Sst guid.vane **	1					3
6	10.3002.01	O-ring, 1x5 mm Ni 85 **	1					10
7	11.4850.00	Hex. nut, M18	1					5
8	25.0504.51	Regulator, 1/4F Bsp-1/4 F Npt Sst.	1					1
9	16.2221.00	Set screw, DIN914 M8x8 mm Sst.	1					10

\*\* On request



P.A. S.p.A.

Via Milano, 13  
42048 Rubiera, Reggio Emilia - Italy

Tel +39.0522.623611  
Fax +39.0522.629600

info@pa-etl.it

[www.pa-etl.it](http://www.pa-etl.it)



COMPANY WITH QUALITY MANAGEMENT  
SYSTEM CERTIFIED BY DNV  
= ISO 9001 =