



TRII-PLEX

JETTECH SYSTEMS

HIGH PRESSURE PLUNGER PUMPS

HAWK SERIES

FLOWRATE: - Up to 100 LPM

PRESSURE:- Up to 500 BAR



CATEGORY - HAWK

MAIN CATEGORY OF HAWK PUMPS

MODEL NO.	NHD-14.140	NPM-15.250	NMT-21.200	NLTI-30.200	PXI-17.350	PXI-21.500
Flow Rate (LPM)	14	15	21	30	17	21
Pressure (BAR)	140	250	200	200	350	500
Moter (HP)	5	10	12.5	15	15	30

SUB CATEGORY OF NHD 14.140

MODEL NO.	NHD-14.50	NHD-14.80	NHD-14.110	NHD-140	-	-
Flow Rate (LPM)	14	14	14	14	-	-
Pressure (BAR)	50	80	110	140	-	-
Moter (HP)	2	3	4	5	-	-

SUB CATEGORY OF NPM 15.250, PXI 17.350, PXI 21.500

MODEL NO.	NPM-15.180	NPM-15.250	PXI-17.275	PXI-17.350	PXI-21.350	PXI-21.500
Flow Rate (LPM)	15	15	17	17	21	21
Pressure (BAR)	180	250	275	350	350	500
Moter (HP)	7.5	10	12.5	15	20	30

SUB CATEGORY OF NMT-21.200

MODEL NO.	NMT-21.50	NMT-21.90	NMT-21.130	NMT-21.180	NMT-21.200	-
Flow Rate (LPM)	21	21	21	21	21	-
Pressure (BAR)	50	90	130	180	200	-
Motor (HP)	3	5	7.5	10	12.5	-

SUB CATEGORY OF NLTI-30.200 & MPX-30.500

MODEL NO.	NLTI-30.60	NLTI-30.90	NLTI-30.125	NLTI-30.155	NLTI-30.190	MPX-30.500
Flow Rate (LPM)	30	30	30	30	30	30
Pressure (BAR)	60	90	125	155	190	500
Motor (HP)	5	7.5	10	12.5	15	40

SUB CATEGORY OF XXT-70.150

MODEL NO.	XXT-70.50	XXT-70.80	XXT-70.100	XXT-70.130	XXT-70.150	-
Flow Rate (LPM)	70	70	70	70	70	-
Pressure (BAR)	50	80	100	130	150	-
Motor (HP)	10	15	20	25	30	-

ACCESSORIES

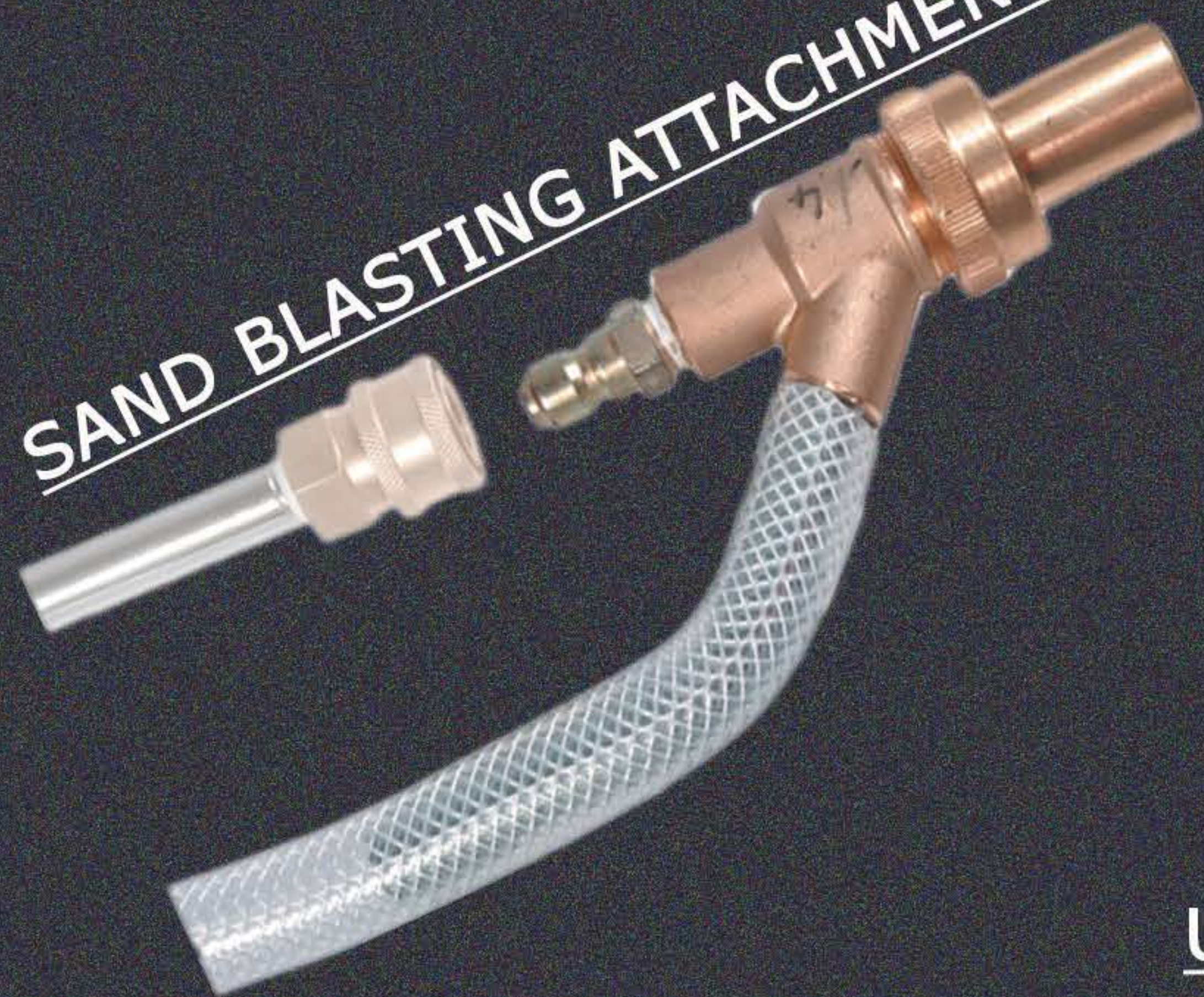
TRIIGER OPERATED GUN



HIGH PRESSURE DUMP GUN



SAND BLASTING ATTACHMENT



UNLOADER VALVE



SAFETY VALVE



PRESSURE GAUGE



TUBE CLEANING NOZZLES



STRAIGHT JET NOZZLE



ROTATING NOZZLES



FOOT OPERATING VALVE



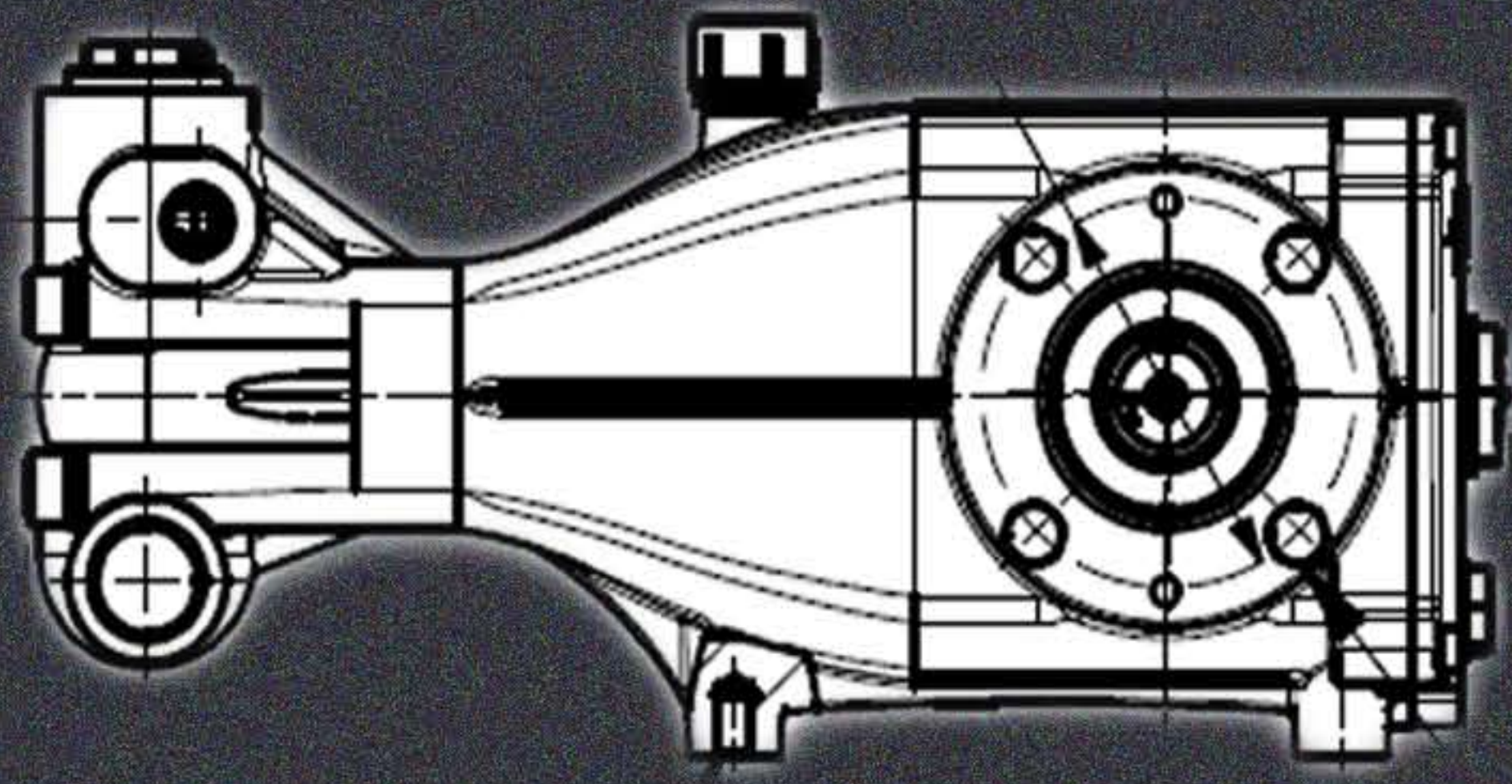
H.P. RUBBER HOSES



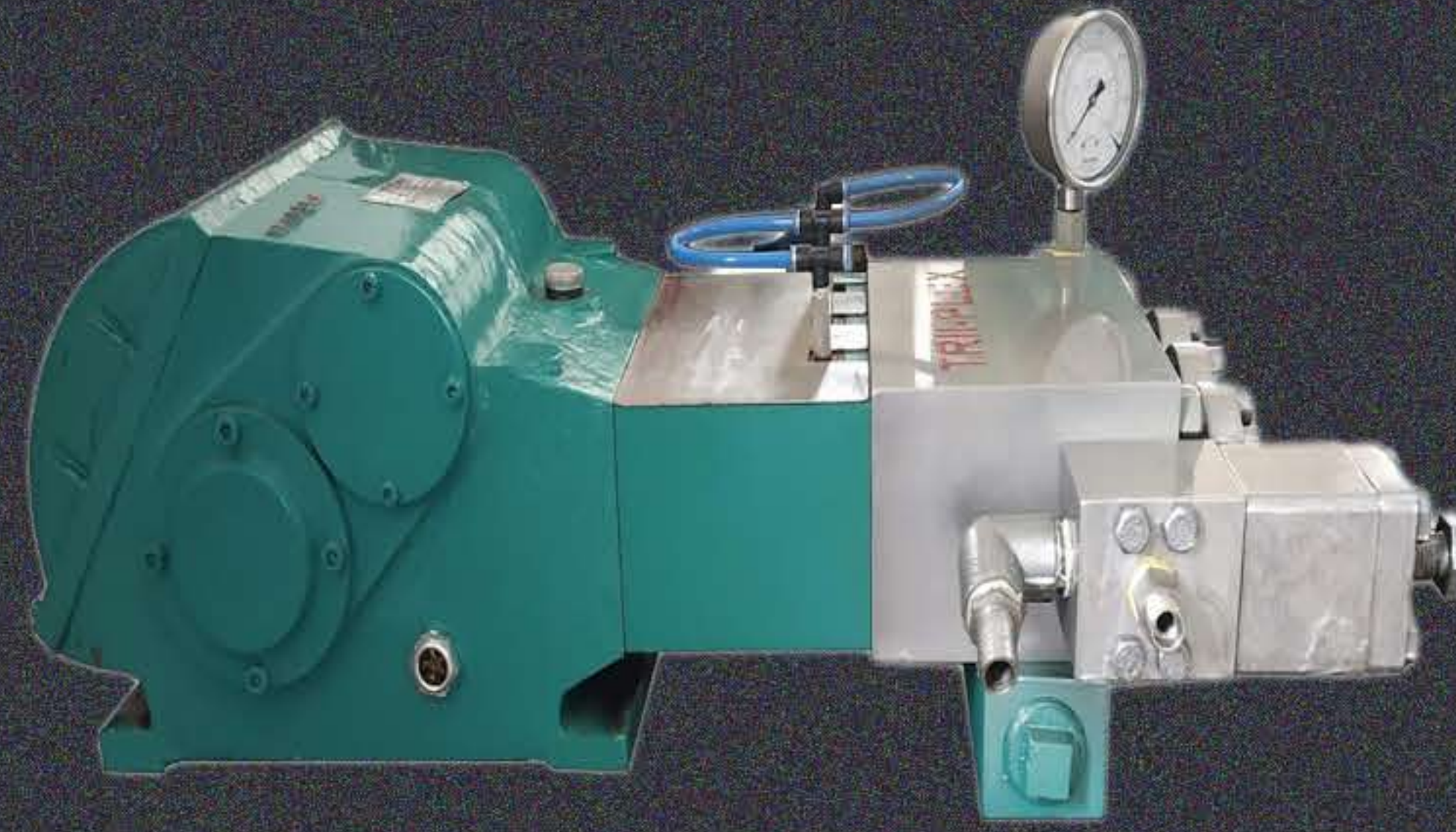
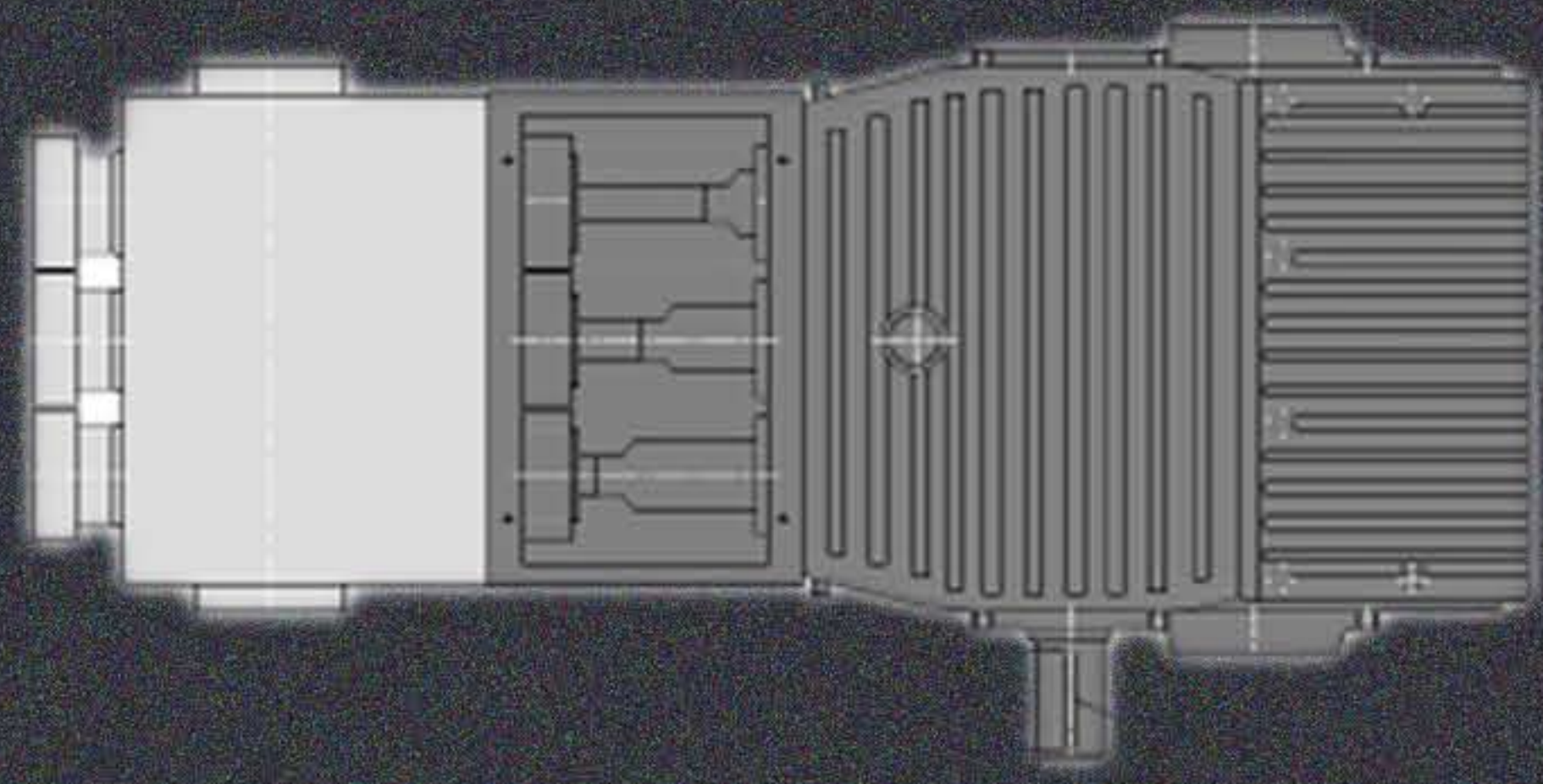
H.P. FLEXIBLE LANCES



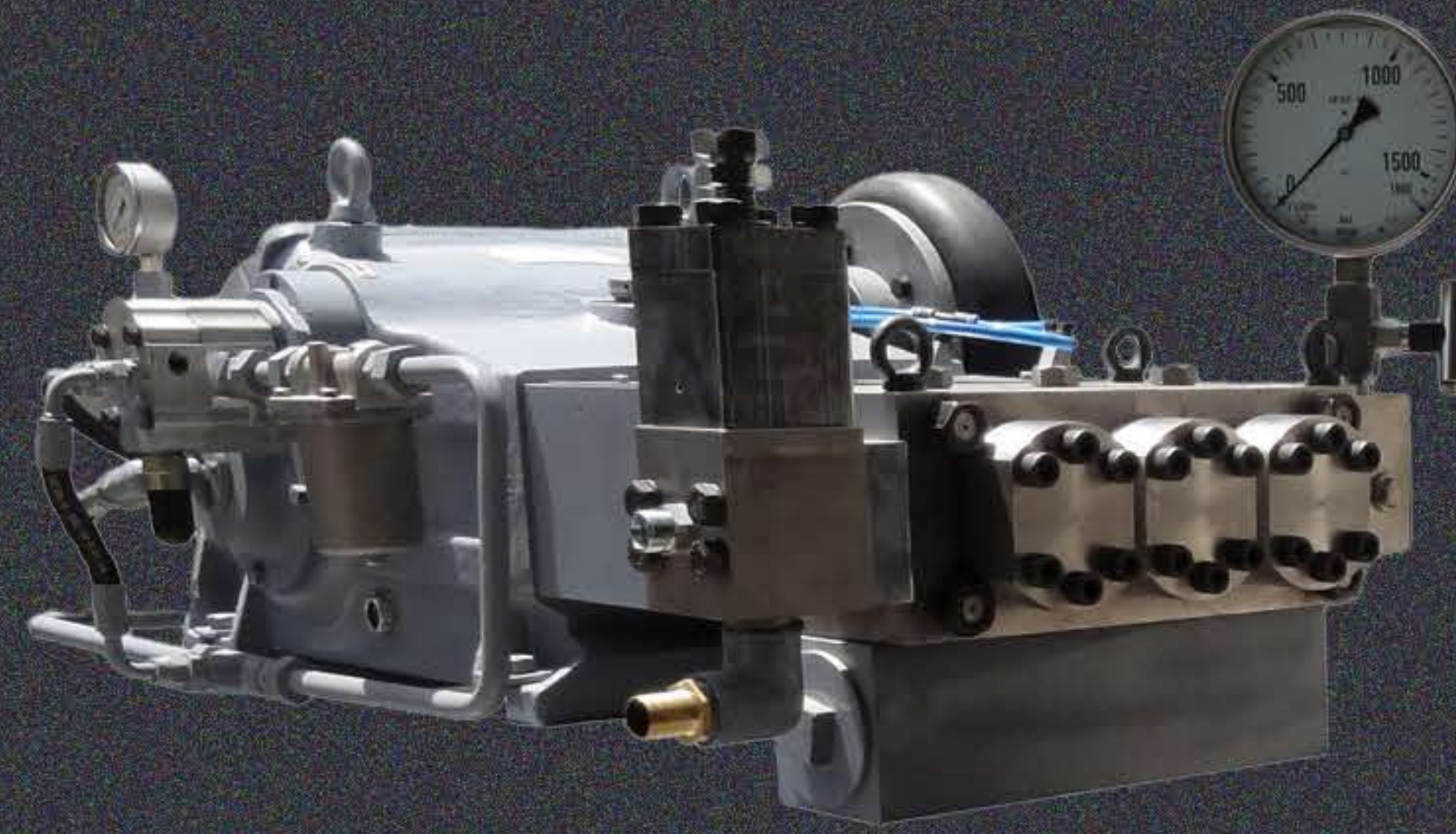
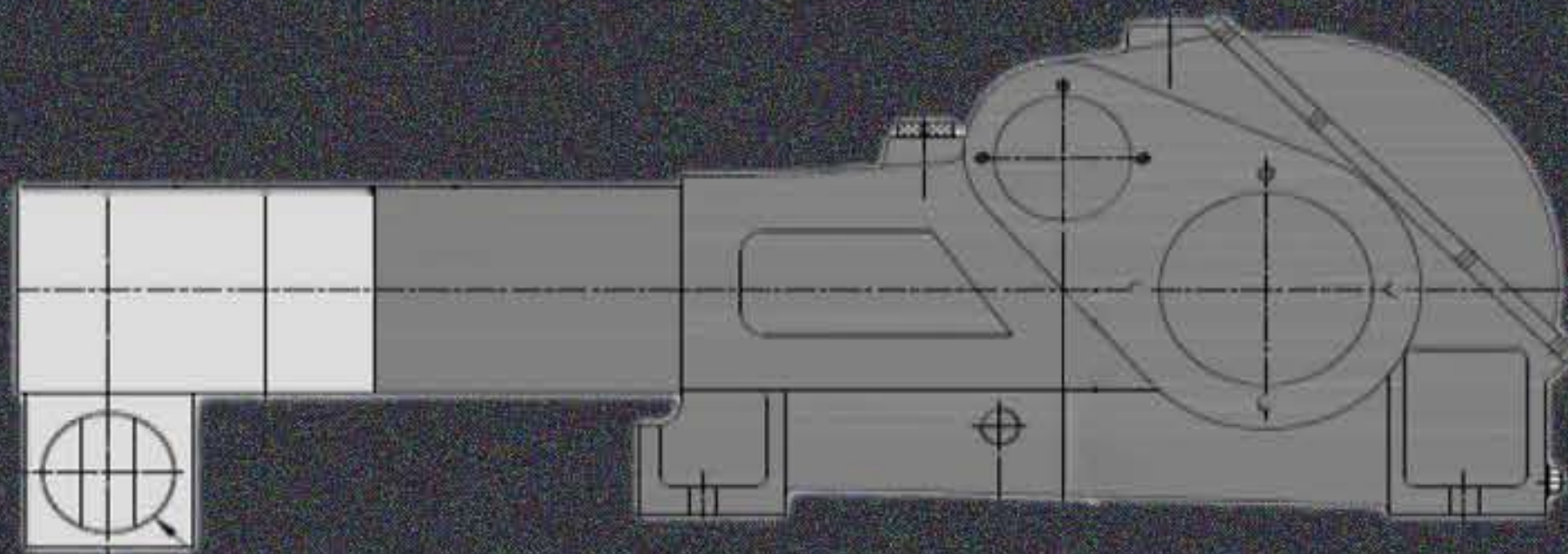
VARIOUS TYPES OF SYSTEMS



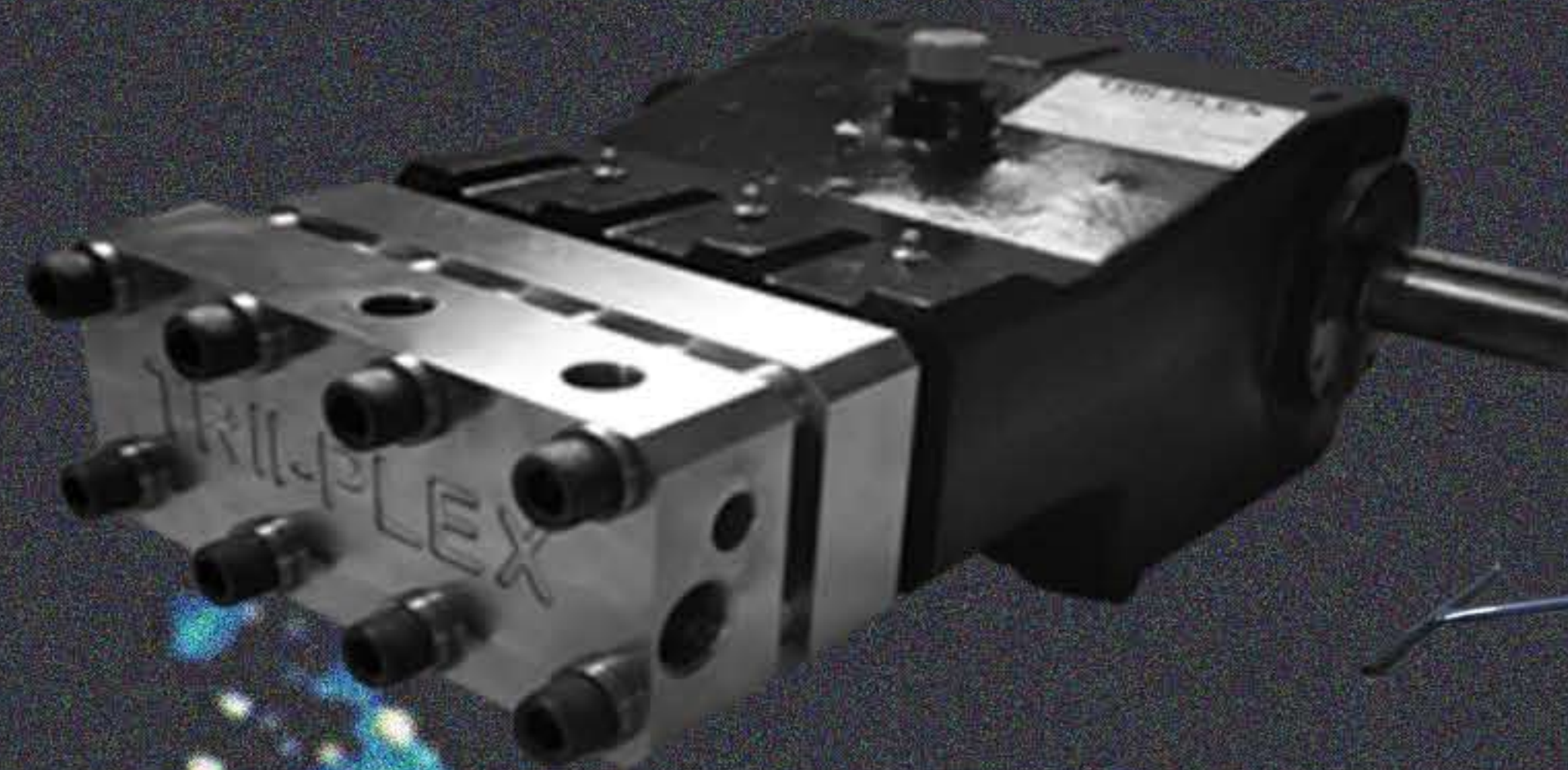
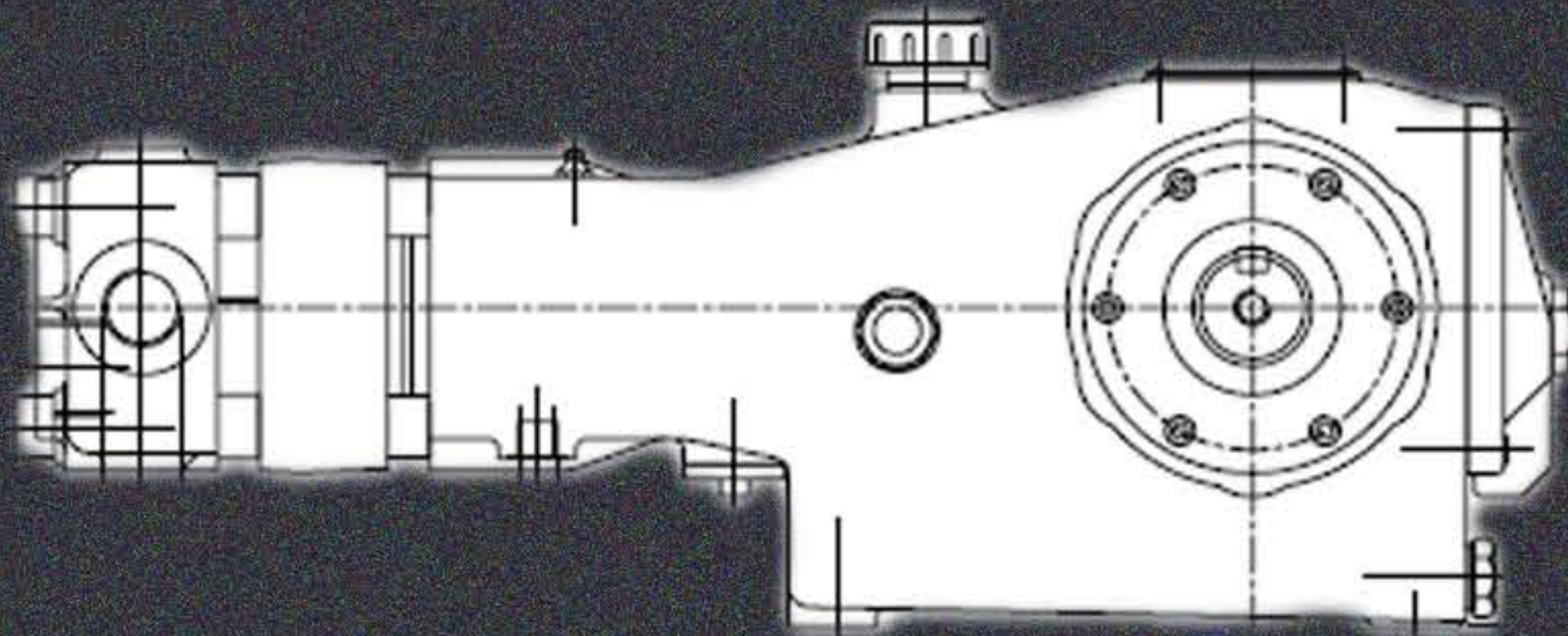
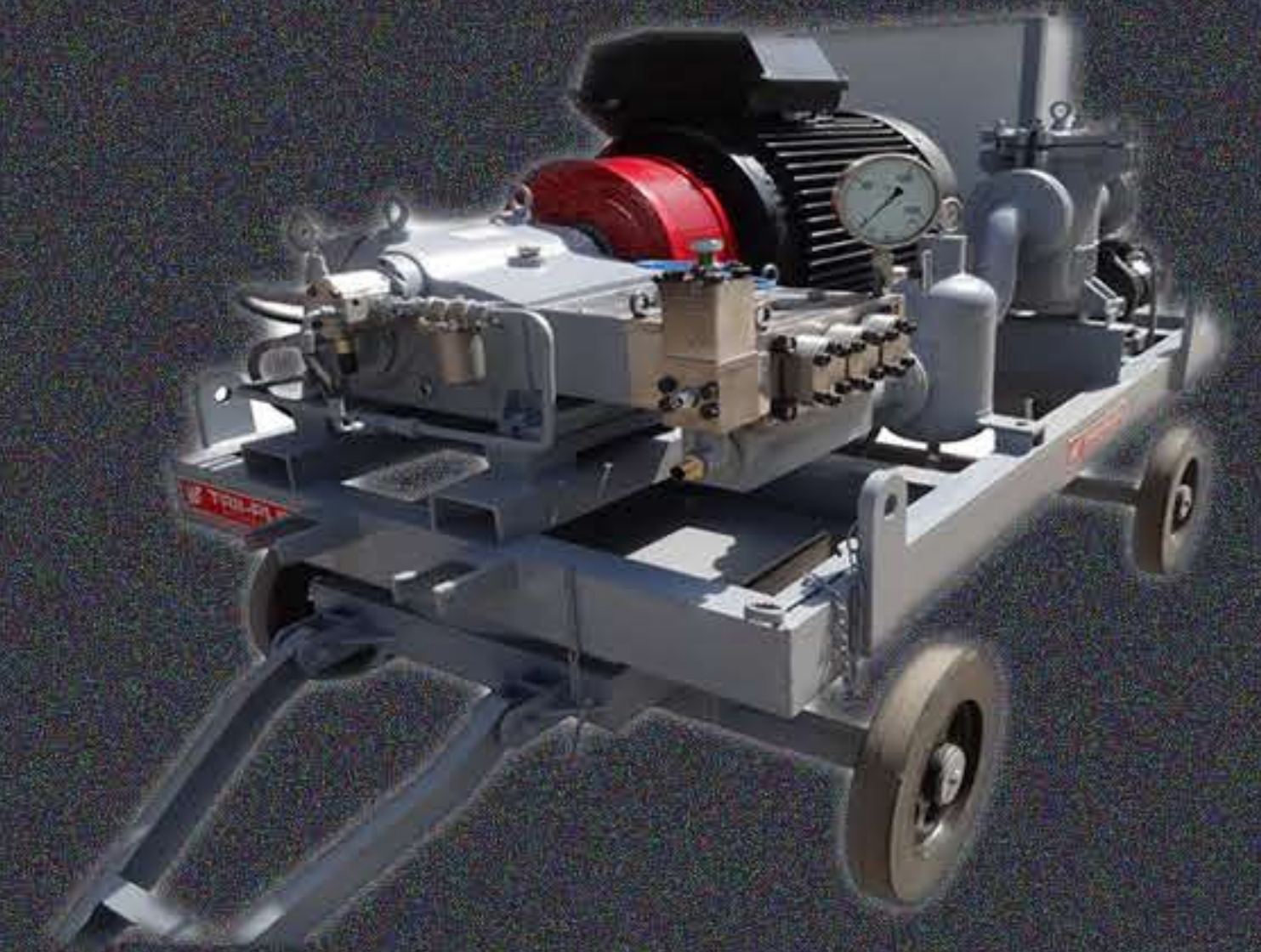
Hawk Series



SJ Series



VM Series



SP Series



TRII-PLEX
JETTECH SYSTEMS

TRII-PLEX JETTECH SYSTEMS

50, Vrundavan Ind. Estate, Ramol CTM Road, • Nr. Ramol Ring Road, Ramol A'bad- 382449

Cell No- 8000992352 | E-mail- triiplexjettechsystems@gmail.com

www.triiplexjettechsystems.com